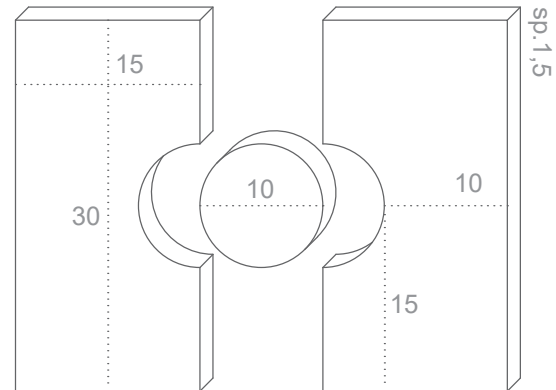


	USE
Interior flooring and wall coverings	YES
Exterior flooring and wall coverings	NO



PRODUCT CHARACTERISTICS

Dimensional and chromatic variations and stapling are part of the tolerances of a manual production process and are therefore to be considered distinctive features of the product itself.

Collection made with bricks made exclusively by hand, one by one, on wooden moulds as per ancient tradition, at our our factory in Lombardy, through the mixing of certified and degassed clays .
After firing, the surface is sanded by hand to bring out the nuances and make it pleasantly smooth.

The material complies with the Directives on safety, public health and consumer protection.
The mineral resources used in the manufacture of each product have a low impact on the ecosystem and natural resources and are not hazardous to human health or the environment.

General warnings

Avoid storing the material outside as rainwater will damage the product if it penetrates the packaging, damage the product. Install the material in a short time to avoid efflorescence and / or discolouration of the tile surface.

INSTALLATION TIPS

- The tiles must be installed on a dry, level, and compact screed. Rising humidity can cause stains on the surface;
- Combine tiles from different boxes to distribute the shades and to avoid inadvertently creating spots of color;
- Lay the tiles down while dry to verify the shape and flatness of the product.
- The selection of the type of adhesive must be compatible with the existing substrate. We recommend white and grey class C2TE or C2TE S1 (white for Kaolin and Veiled White; grey for all others);
- Apply the adhesive evenly on the screed using a wide-toothed trowel. Apply the adhesive to the back of the tiles as well;
- Position the tiles by hand without hammering them. We recommend leaving a thin gap 4 - 6 mm wide. (In the event that you mix multiple formats the gap will follow the regularity of the tiles following their natural fit);
- Verify that the vertical and horizontal alignment of the tiles is correct;
- Use the adhesive to even out the flatness (always keep the surface clean);
- Wait until the adhesive is completely dry, depending on the drying time of the adhesive.

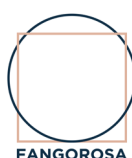
Use the **INTERIOR TERRACOTTA KIT** for the treatment cycle.

Follow the installation with the pre-treatment with the product **FANGOROSA - A pre-treatment** (wait 2 hours for the product to dry). Wait 12-24 hours before grouting.

The surface must be grouted with cement-based grout - coarse grained (epoxy grout is not recommended);

The next step after grouting (24 hours later) is the treatment consisting of the following steps:

- Washing (**FANGOROSA - B wash**) - wait 24-48 hours (at a minimum temperature of 20°C) until completely dry;
- Treatment (**FANGOROSA - C treatment**) - wait 2 hours for the product to dry;
- Finish (**FANGOROSA - D finish**) - 2 coats with polishing cloth.
- Apply the second coat 2 hours after the first.



All video tutorials are available on: <https://www.youtube.com/channel/UCdkyYRr9M4EhLvPEwqinvuA>

RECOMMENDED MAINTENANCE

Routine cleaning (every day)

We recommend using the product **FANGOROSA SOAP - universal daily cleaner for all surfaces**. Alternatively, we recommend mild soap and water.

Do not use alcohol, acid-based detergents, solvent, or ammonia. Do not use aggressive, acidic, or alkaline detergents.

Deep cleaning

We recommend the use of **Nutriente** products for both interior and exterior surfaces.

All products are available on www.fangorosa.com.

